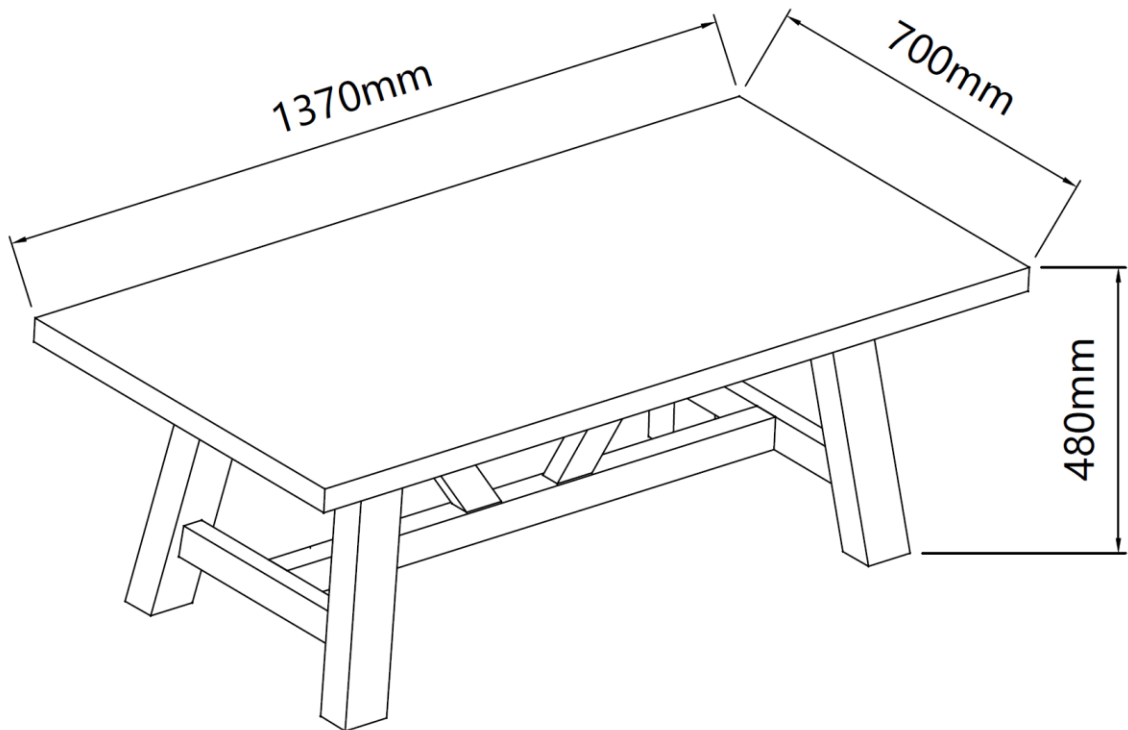




ASSEMBLY INSTRUCTION  
MATTEO COFFEE TABLE  
ITEM CODE 85059

# SIGNATURE

— COLLECTION —



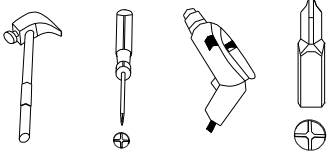


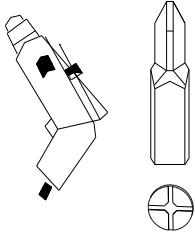
Imported by Amart Furniture Pty Ltd, Qld, Brisbane Australia.  
For any assistance with assembly or for missing parts please phone  
Amart Furniture, Customer Service Free call 1800 351 084

# PRE-ASSEMBLY PREPARATION

## Before you start:

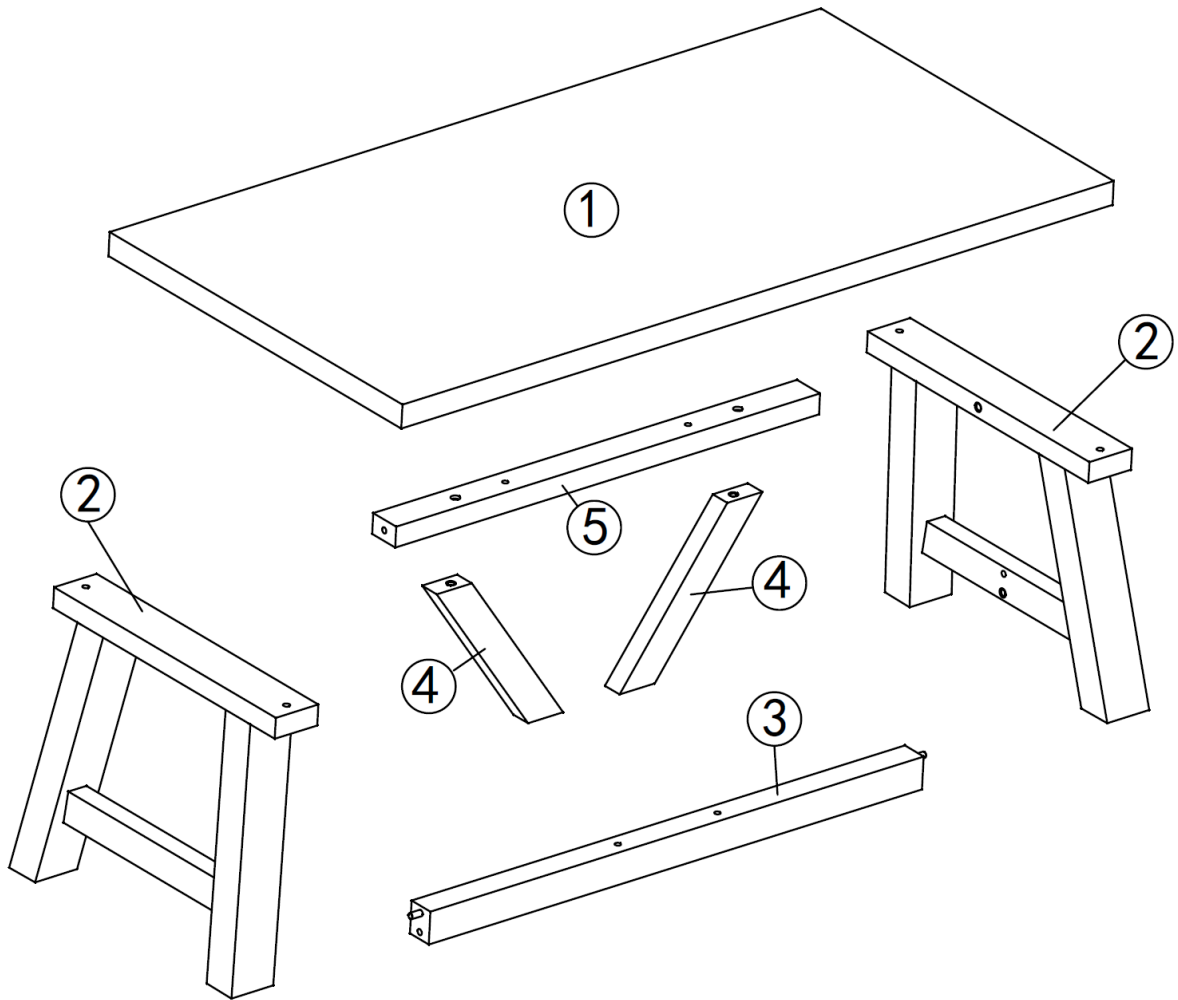
1. Choose a clean, level, spacious assembly area. Avoid hard surfaces that may damage the product
2. Take care when lifting. Product should be assembled as near as possible to the point of use
3. Ensure that you have all required contents for complete assembly
4. Always read the assembly instructions carefully before beginning assembly.
5. Keep all hardware parts and packaging out of reach of small children.
6. Do not over tighten the screws and bolts as this may damage the threads

	
ALLOW 20 MINUTES	2 PEOPLE REQUIRED
	
TOOLS REQUIRED	



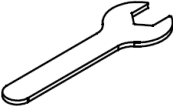
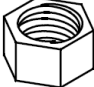
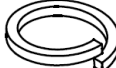
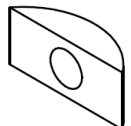
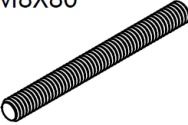

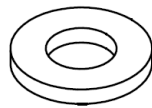
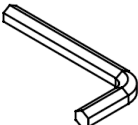
We recommend using a screwdriver to put this item together. However if you choose to use a power drill it must be used on LOW SPEED (LOW TORQUE) as too much pressure could damage the product

# PARTS LIST

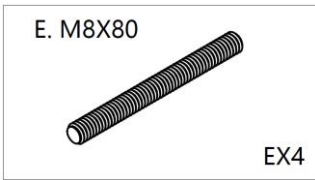


1	COFFEE TABLE TOP
2	LEGS
3	BOTTOM BRACKET

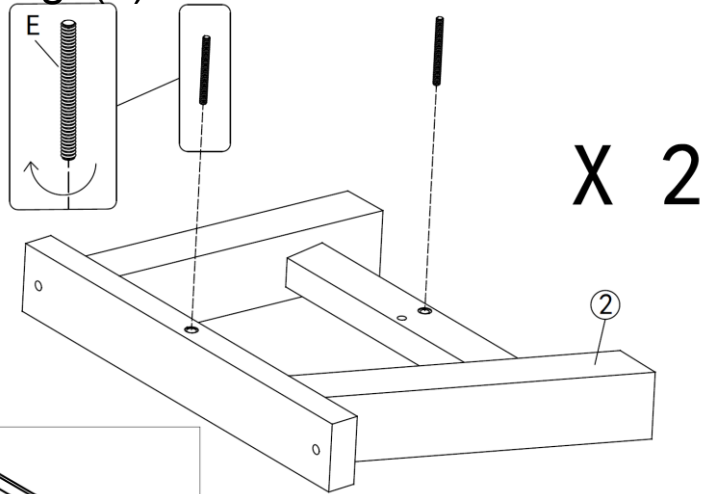
4	SUPPORT BRACKET
5	TOP STRETCHER

<p>A.</p>  <p>AX1</p>	<p>B. M8</p>  <p>BX2</p>	<p>C.</p>  <p>CX2</p>	<p>D.</p>  <p>DX2</p>
<p>E. M8X80</p>  <p>EX2</p>	<p>F. M8X50</p>  <p>FX4</p>	<p>G.</p>  <p>GX4</p>	<p>H.</p>  <p>HX1</p>

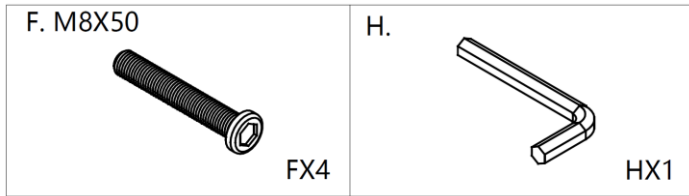
# 1.



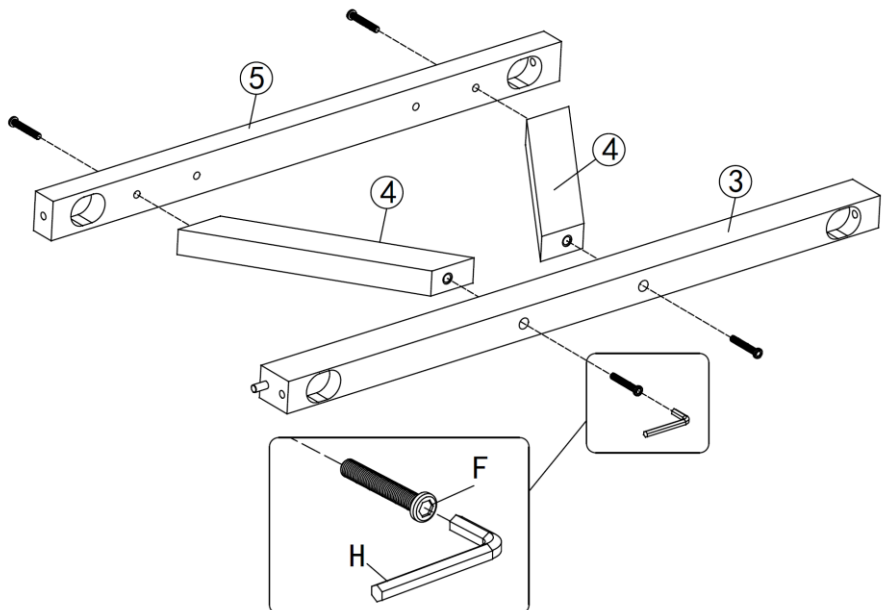
- Install the bolt (E) into the legs(2) .



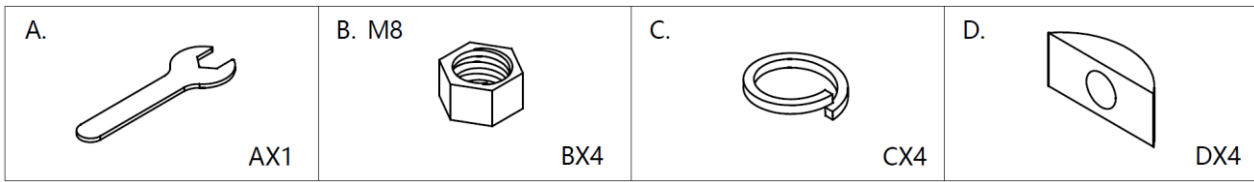
# 2.



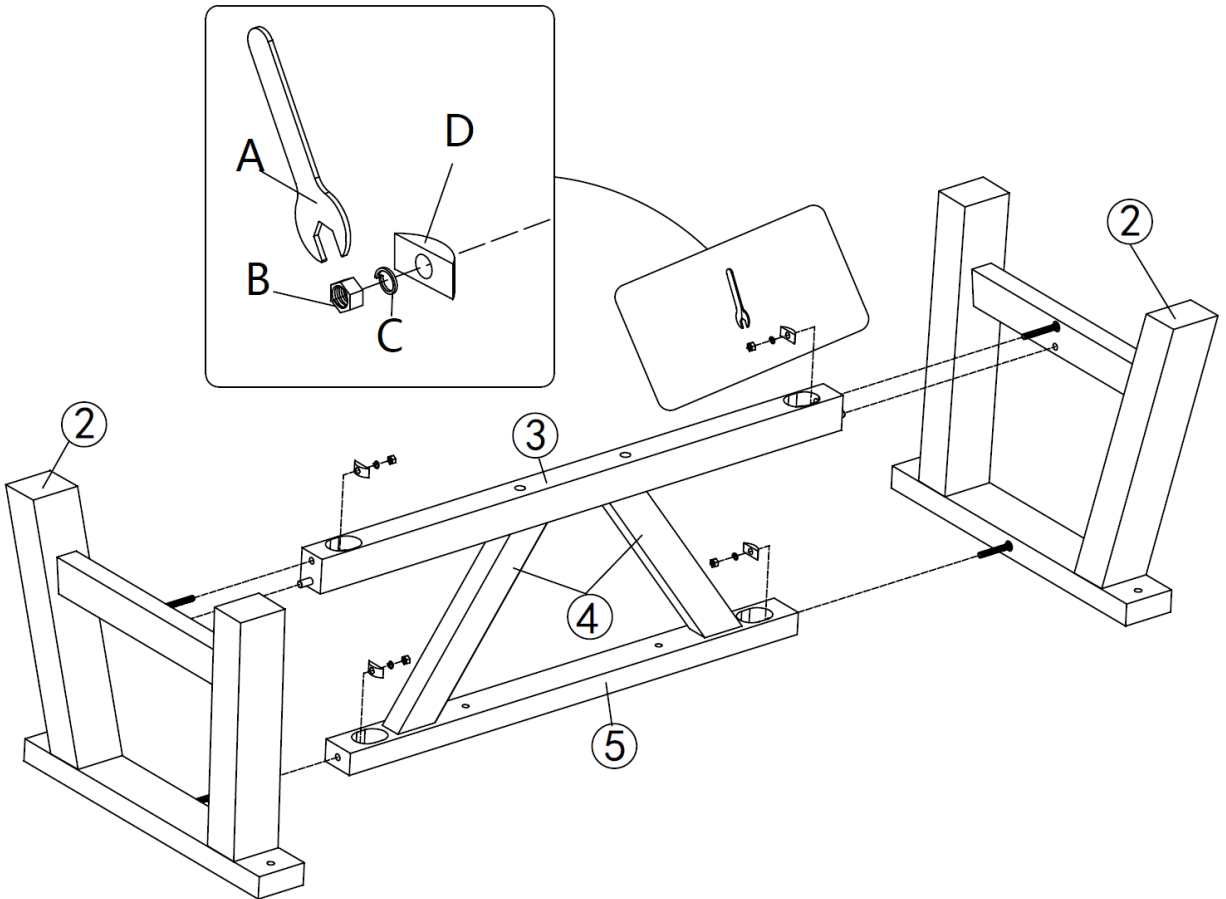
- Attach bottom bracket(3) , support bracket (4) and top stretcher (5) with bolt (F)
- Tighten with allen key (H)



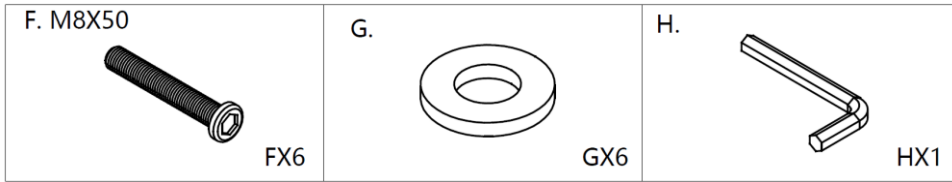
# 3.



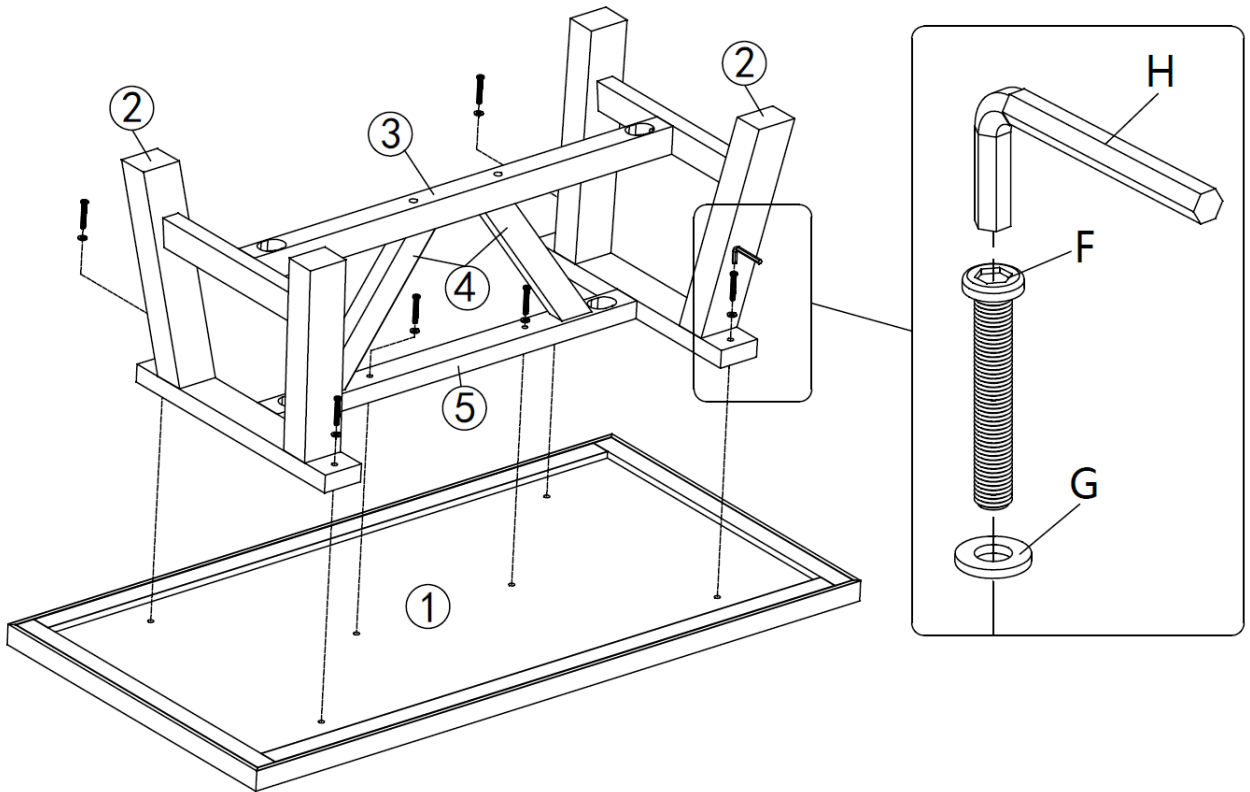
- Attach legs (2) to bottom bracket(3) and top stretcher (5) using gasket (D), lock washer (C) and nut (B);
- Tighten with spanner(A).



# 4.

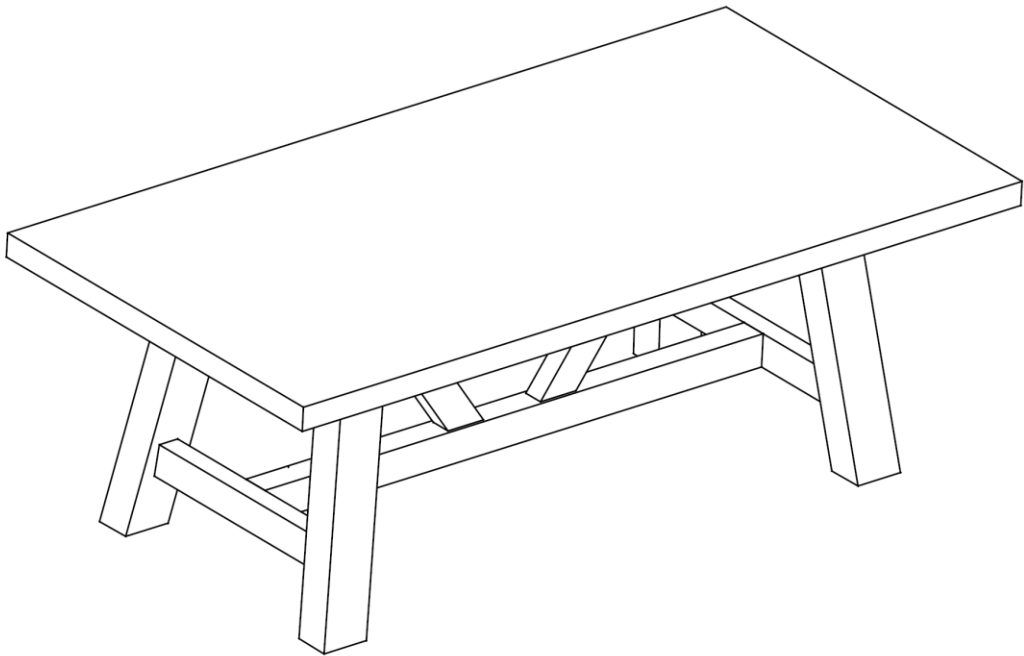


- Attach Legs (2) and top stretcher (5) to Coffee table top(1) using bolt(F) and flat washer (G) .
- Tighten with Allen Key (H).



**NOTE: ALWAYS USE TWO PEOPLE WHEN TURNING THE TABLE OVER.**

ASSEMBLY IS COMPLETE



## CARE AND MAINTENANCE

- A multi-step finish is applied to all our furniture, but all wood comes from nature. Because of this, there will be natural variations in surface texture and grain like knots, mineral streaks and sap runs that may affect the finish. These differences in character are not defects, but distinctions that make each piece of furniture unique.
- Our furniture is built to last. Following these steps for basic care should protect your investment for years to come.
- Dust frequently with a clean damp lint-free cloth. This will help remove abrasive build up which can damage a finish over time.
- Do not place hot objects on any furniture surface. Always use a hot plate or placemat. Laminate and lacquer finishes on table tops provide added scratch and heat resistance to our furniture, but they can still be damaged without proper care.
- Avoid exposing your furniture to strong sunlight, heat outlet, open windows or dampness. Prolonged exposure to direct sunlight can fade the finish of your furniture, while extreme temperature and humidity changes can cause cracking or splitting.
- Do not expose your furniture to any liquids. Never allow water to sit on your furniture. Alcohol, nail polish and perfume are also dangerous as they will dissolve the lacquer finish on contact and may require professional repairs.
- Do not allow plastic to come in direct contact with your furniture. Chemicals in the plastic of placemats etc may soften and mark the finish if left in contact with the furniture for a period of time.

# Care And Maintenance of Sintered Stone

## 1. PROTECT THE SURFACE

- 1.1 This product is sintered stone. Never drop or drag to move this product, as doing this may cause it to break and shatter.
- 1.2 Do not place hot objects directly onto the top. The use of coasters or place mats is highly recommended.
- 1.3 Do not use any sharp objects to contact the stone surface, keep away from all the sharp objects. All ornaments placed on stone surface must have protection under to avoid scratches.
- 1.4 Keep the stone surface dry all the time. Leaving water/sauce on the surface for too long will cause the surface colour fading.
- 1.5 Keep away from acidic or abrasive substances, including harsh cleaners. Do not contact the surface with ACETONE, STRONG ACID liquid (Alcohol, Perfume, Nail Polishes, etc.) it can damage the object. Clean with mild dish soap and water if needed.
- 1.6 Regular Maintenance: Clean by PH neutral soap and water. Using a soft microfibre cloth, using gentle motions. Be sure to ensure that the entire surface is dried thoroughly.
- 1.7 Clean water scale on the surface with damped cloth and follow with dry cloth polishing.

## 2. COLOR DIFFERENCES

This Sintered Stone is Human Made Artificial Stone, there will be colour differences in each piece.

Avoid placing the furniture in direct sunlight, or directly under windows. For long period will cause the colour changing.